



Visidec focus | dual monitor arm



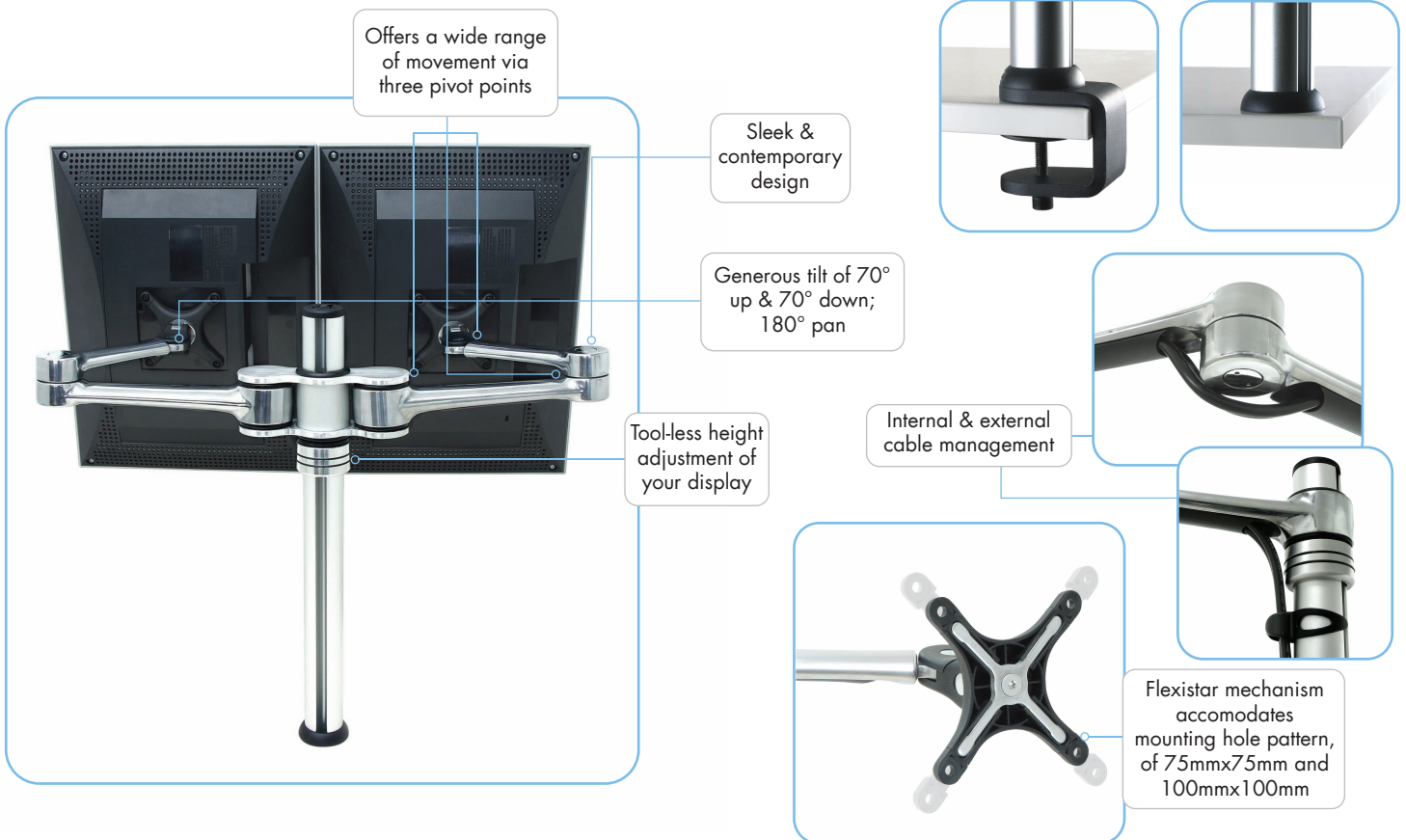
Maximum weight carrying capacity:
8kg (17.5lbs) per arm

For users who require a dual monitor configuration, the Visidec Focus VF-AT-D polished aluminum mount can revolutionize any workspace. This desk mount supports two LCD flat screens and frees up valuable desk space for enhanced productivity. Holding the two displays side by side or back to back, viewing comfort and productivity is dramatically increased through easy repositioning of the screens by adjusting your screens in and out for the ideal focal length. Ergonomic by design, tilt, pan, rotation, display height and focal distance are adjustable by the user with fingertip control. Cables are cleverly managed internally for a clean look and to reduce clutter.



Product key features:

- ✕ Offers wide range of movement via 3 pivot points on both arms
- ✕ 240° rotation at shoulder
- ✕ Adjustable tilt: 70° up and 70° down
- ✕ Adjustable pan: 90° left and right, total 180°
- ✕ Portrait to landscape rotation
- ✕ Arm maximum reach: 467mm (18.25")
- ✕ Display height adjustment range: 315mm (12.5")
- ✕ Bolt through and desk clamp mounting options included
- ✕ Internal cable management
- ✕ Comes with all mounting hardware



Product information, single unit

Load capacity	Material	Color
8kg (17.5lbs) per arm	Aluminum	Polished

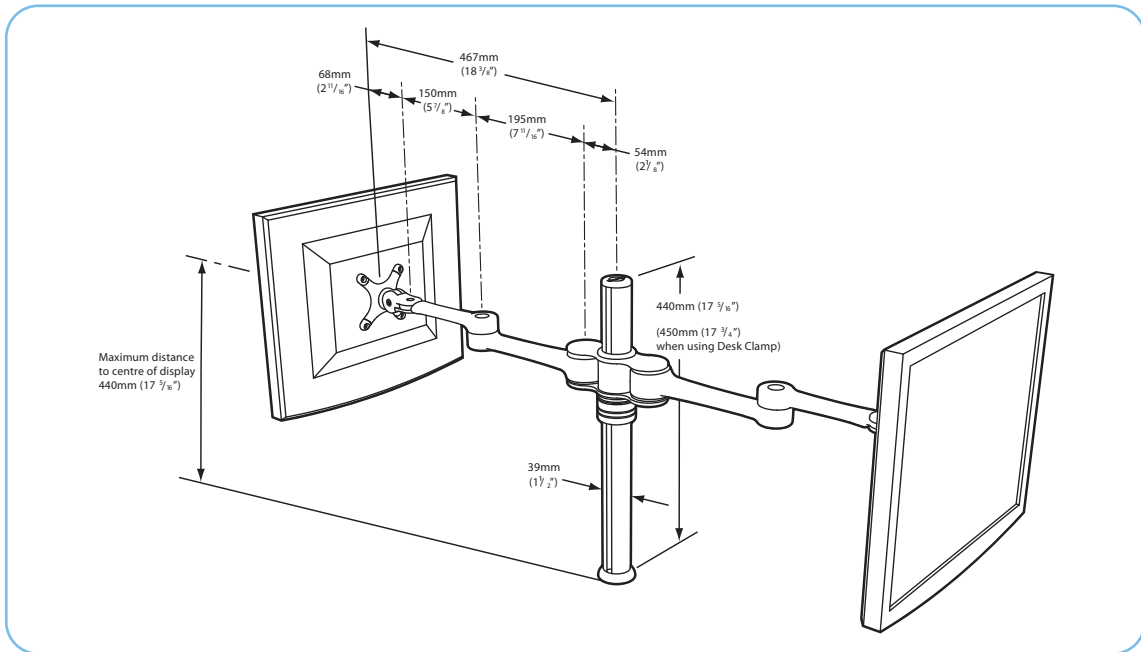
Package information, single unit

Size	Ship weight	UPC code	Contents
56cm x 23cm x 12cm (22.75" x 9" x 5")	3.7kg (8.2lbs)	881493004351	All hardware required for installation supplied

Package information, master pack

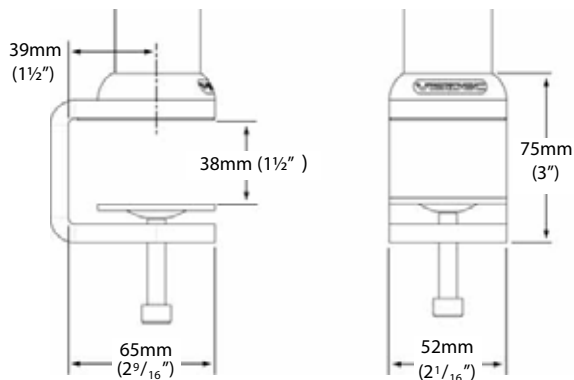
Size	Ship weight	UPC	Units per master pack
56cm x 47cm x 27cm (23.5" x 18.75" x 10.25")	16kg (35.2lbs)	881493004368	4

Technical drawings



Desk Clamp

Desk Clamp suits desktop thicknesses of 12mm - 38mm (1/2" - 1 1/2")



Bolt Through

Bolt Through suits desktop thicknesses of 12mm - 40mm (1/2" - 1 1/2")

